

BID / TENDER DOCUMENT
TENDER NO. LDC/G/23/TRUW/W/25-26

INVITATION OF QUOTATION FOR FABRICATION & SUPPLY OF T.R. UNIT ENCLOSURES ALONG WITH NAME PLATE OF CP STATIONS IN LAHORE (WEST) REGION

Sui Northern Gas Pipelines Limited (SNGPL), herein after referred as “the Company”, intends to award contract for the Financial year 2025-26 for “**Fabrication and Supply of T/R unit Enclosures along with Name Plates**” for C.P. Stations in Lahore (West) Region.

Technically strengthened Contractors who are registered with Income Tax and Sales Tax Departments and who are on Active Taxpayers List of the Federal Board of Revenue and are professional tax payers, are eligible to submit their sealed quotations via “**Single Stage, Single Envelope**” along with Bid submission on EPAD’s for the following work, keeping in view all the terms and conditions given here under.

Scope of Work

The Scope of Work for the above mentioned job includes “**Fabrication & Supply of T/R unit enclosures along with a Name Plate**” in accordance with the terms and conditions given below. A detailed drawing containing design and dimensions of the enclosure and its roof is attached. The specifications of the materials to be used are also given in the drawing. The contractors are required to quote lump sum price (including all applicable taxes) per completed T/R enclosure (including fabrication charges, material cost, shifting charges, loading / unloading charges, Name Plate charges and any other charges) in accordance with the terms and conditions.

Terms and Conditions

- a) The Company reserves the right to reject any or all of the quotations without assigning any reason.
- b) The Company reserves the right to cancel the award of contract at any stage if it is found that the performance or progress of the contractor is not satisfactory and the jobs are likely to be delayed or adversely affected. In such an event, the Company reserves the right to award the contract to any other contractor as per applicable rules.
- c) The contractor / bidder will submit an amount of **Rs 1,000/-** as “Printing and Downloading Charges” against the subject tender in the form of Pay order / demand draft / Banker’s Cheque / CDR from a scheduled bank and submit the same in Original along with Hard copy of documents. The copy of the Pay order / demand draft / Banker’s Cheque / CDR amounting to Rs 1,000/- be uploaded along with Tender documents via EPAD’s before bid submission date.
- d) The contractor / bidder will submit the original tender document in **Hard Copy** provided by the Company via EPADs, after signing and affixing his stamp on each page, as a token of understanding and acceptance of the terms and conditions of the tender document. **In parallel, bid will be submitted on EPAD’s as per opening date, time / schedule mentioned.**
- e) In case of same rates quoted by more than one bidder, SNGPL has rights to award the tender on the basis of previous performance of same kind of jobs in SNGPL.
- f) The bidders are required to submit one copy each of valid Income Tax Certificate and latest Professional Tax Certificate along with their bid offer.



- g) The bidder must ensure to mention his name and designation on the bid offer. All the future correspondence (letters / invoices etc.) with the Company shall be accepted only if it is initiated and signed by the same signatory.
- h) Envelope should be marked "CONFIDENTIAL" and should be clearly marked as "Quotation for Fabrication and Supply of TR Unit Enclosures along with Name Plates of CP stations in Lahore West Region" and do not open before 05th March, 2026, 1130 hours". Single Stage Single Envelope bidding process is to be followed.
- i) Closing time for the bid submission in Hard copy and via EPAD's is **05th March, 2026, 1100 hours.**
- j) In addition to Bid Submission via EPADs', Hard copy along with "Original Bid Bond and Original Fee of Printing and Downloading charges" be submitted / dispatched at following address, before closing hours of bid.

Farrukh Haider

Dy. Chief Engineer (Corr. Control),
Sui Northern Gas Pipelines Ltd.,
21 Industrial Area, Gurumangat Road,
Gulberg-III, Lahore.

- k) The bid submitted by the contractor / bidder must have the validity of 120 days.
- l) In case of a public holiday, bids will be opened on next working day on same time.
- m) The rates quoted by the contractor shall be for complete finished work and shall be comprehensive and complete in all respects including fabrication charges, material cost, shifting charges, loading / unloading charges, Name Plate charges and any other arrangements / jobs which are necessary for completion of the work.
- n) The contractor shall obtain prior approval for type, design and specifications of the materials to be used and will submit specimens / samples of all the approved materials before start of work, otherwise if any loss occurs due to rejection of un-approved material by the Company, the contractor will be solely responsible for it.
- o) No advance payment shall be made.
- p) The rates quoted will remain valid for the whole fiscal year 2025-26 and no escalation charges in respect of any kind of material or services shall be paid in any case due to increase of prices of any material in the market or due to increase in the rate of any applicable Tax.
- q) The rates quoted for the whole fiscal year i.e. 2025-26 may remain valid in case of extension of work for 03 months after mutual agreement of two parties i.e. SNGPL and the Contractor for current year jobs delayed beyond reasonable control.
- r) All government taxes (GST, PRA, Income Tax or any other tax) whichever will be applicable on this work / contract shall be borne by the contractor. If any amendment in the rate of any of the applicable taxes is notified by the government during the fiscal year 2025-26, the contractor shall have to bear the increase in the cost. Therefore, the rate quoted by the bidder shall be considered to be inclusive of all applicable taxes.
- s) No amendment or modification in the scope of work / terms and conditions of the Tender Document shall be made except those conveyed by the Company in writing.




- t) The contractor shall be required to comply with the HSE policy of the Company. The contractor will submit duly signed and stamped "Contractor's HSE Statement" (attached as Annexure-A) along with his bid offer. During work at the Company's site, the Contractor will be bound to comply with all those HSE regulations of the Company that are applicable on all the contractors working with the Company.
- u) The contractor shall be liable to pay compensation to his staff / labor in case of any major injury, disability and fatality category wise as under:
- | | |
|---|---|
| 1. In case of Major Injury
(Injury leading to Temporary disablement) | Payment of ½ of the monthly wages till the recovery of temporary disablement or for a maximum period of one year, whichever is less. |
| | Payment of 1/3 of the monthly wages till the recovery of chronic ill health / disease or for a maximum period of 5 year, whichever is less. |
| 2. In case of Disability (Permanent) | Rs. 500,000/- |
| 3. Fatality | Rs. 500,000/- |
- v) Failure to compliance against HSE initiative at operational sites will lead to blacklisting of a contractor through following disciplinary actions.
- | | |
|------------------------------|---|
| 1. 1 st Violation | Warning letter |
| 2. 2 nd Violation | Deduction of Rs. 5,000/- (Rupees Five Thousand only) |
| 3. 3 rd Violation | Deduction of Rs. 20,000/- (Rupees Twenty Thousand only) |
| 4. 4 th Violation | Black Listing |
- w) The Contractor shall be bound to respond and supply the finished enclosures within thirty days of intimation to him. In case of non-compliance, an amount equal to 10% of the total amount will be deducted as penalty from the bill.
- x) The contractor shall be required to supply the finished enclosures at the site as advised by the Company. Safe loading / unloading of enclosure using proper measures / equipment at site shall also be the responsibility of the contractor.
- y) Roof of the enclosure should be joined / fixed with the structure of the enclosure in such a way that it is able to bear wind pressure during storms and is not broken / detached from its base. In this regard the design / method of fixing shall be used after approval of the Company.
- z) The Contractor shall also provide a Name Plate of the CP Station, to be attached with the TR Unit Enclosure. Good quality Plastic shall be used for the Name Plate (sample print attached). The contractor shall obtain prior approval for the sample of Name Plate to be used.
- aa) The Company reserves the right to reject any / all of the completed / finished TR enclosures at the time of delivery if it is found that the design or the materials used are not in accordance with the specifications given by the Company in the tender / bid document.
- bb) The contractor shall be required to deliver the completed TR unit enclosures at the CP station sites within the domain of SNGPL Lahore (West) Region and as such the transportation cost should be included in the total lump sum quoted cost of the TR unit enclosure.



- cc) SNGPL reserves the right of inspection of workshop / facilities of the contractor before awarding contract. The Company reserves the right to cancel award of contract if any discrepancies are observed in the quality of the materials / workmanship.
- dd) The bidders shall be required to submit a **bid bond** in original **along with their bids / quotations submitted in Hard Copy (Sealed Envelope)** for an amount of Rs. **55,000/-** in the form of Pay order / demand draft / Banker's Cheque / CDR from a scheduled bank. Any bid received without bid bond will be rejected. The bid bonds will be returned to all un-successful bidders in due course of time after necessary processing. **Copy of Bid Bond be attached in Tender Documents submitted via EPADs.**
- ee) The successful bidder shall furnish a Performance Bond in the shape of Bank Guarantee / demand draft / pay order / Banker's Cheque from any scheduled bank of Pakistan equal to ten percent (10%) of the contract sum (sample format attached). The Performance bond shall remain valid from the date of issuance of contract until three (03) months after the date of completion of the contract. The cost incurred on processing / preparation of Performance Bond shall be borne by the successful bidder in all respects.
- ff) The tentative / estimated work during the fiscal year is expected to be supply of **08 Nos. TR Unit Enclosures (including Name Plate)**. The amount of bid bond and performance bond shall be calculated on the basis of this tentative / estimated volume of work. However, the actual volume of work may exceed or may be less than this estimated volume of work by a margin of 15% subject to availability of material and site permissions. However, decrease beyond 15% shall be subject to concurrence by the successful bidder. In such a case, the bidder / contractor shall have no right whatsoever to lodge any claim at any forum against the Company.
- gg) The performance bond will be released three months after successful completion / supply of all required TR Unit Enclosures, on the request of the contractor. In case of non-completion of work the performance bond will be confiscated.
- hh) Failure or neglecting to deliver / provide Performance bond, within 14 days, as specified above, shall be considered as abandoning of the contract by the bidder. In this case the bid bond shall not be returned to the contractor and will be liable to be encashed / deposited in the Company's account.
- ii) The Performance bond shall be furnished in accordance with the conditions of the tender document before execution of the contract.

The award of contract shall be applicable for the whole area in the domain of SNGPL Lahore (West) Region and completed TR Unit enclosures may be required to be delivered at any of the SNGPL site situated in this area.

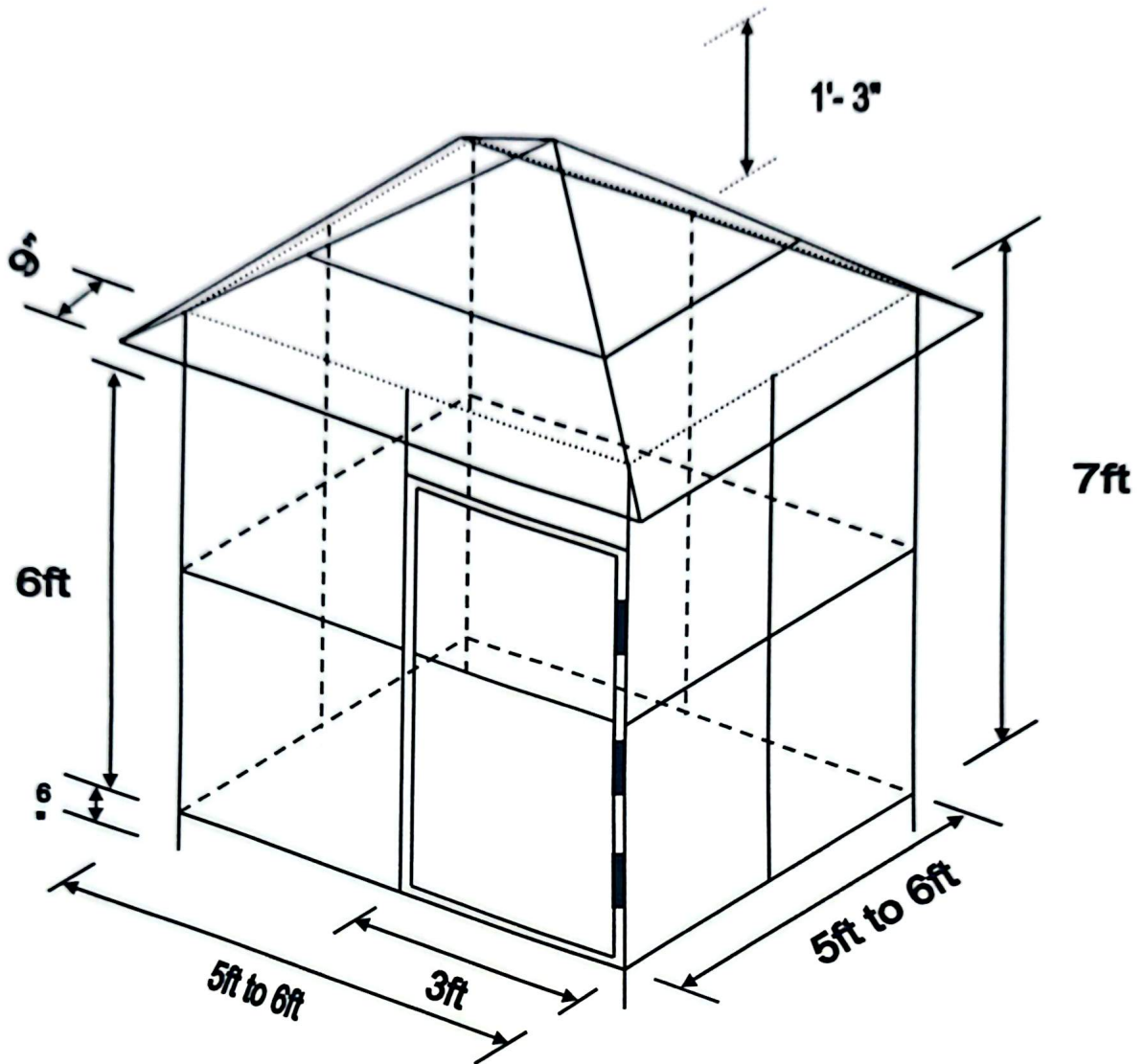
Any clarification / information regarding this job / contract may be obtained from the office of the undersigned during office hours on any working day.



(Farrukh Haider)
Dy. Chief Engineer (Corr. Control)
Lahore West (D)



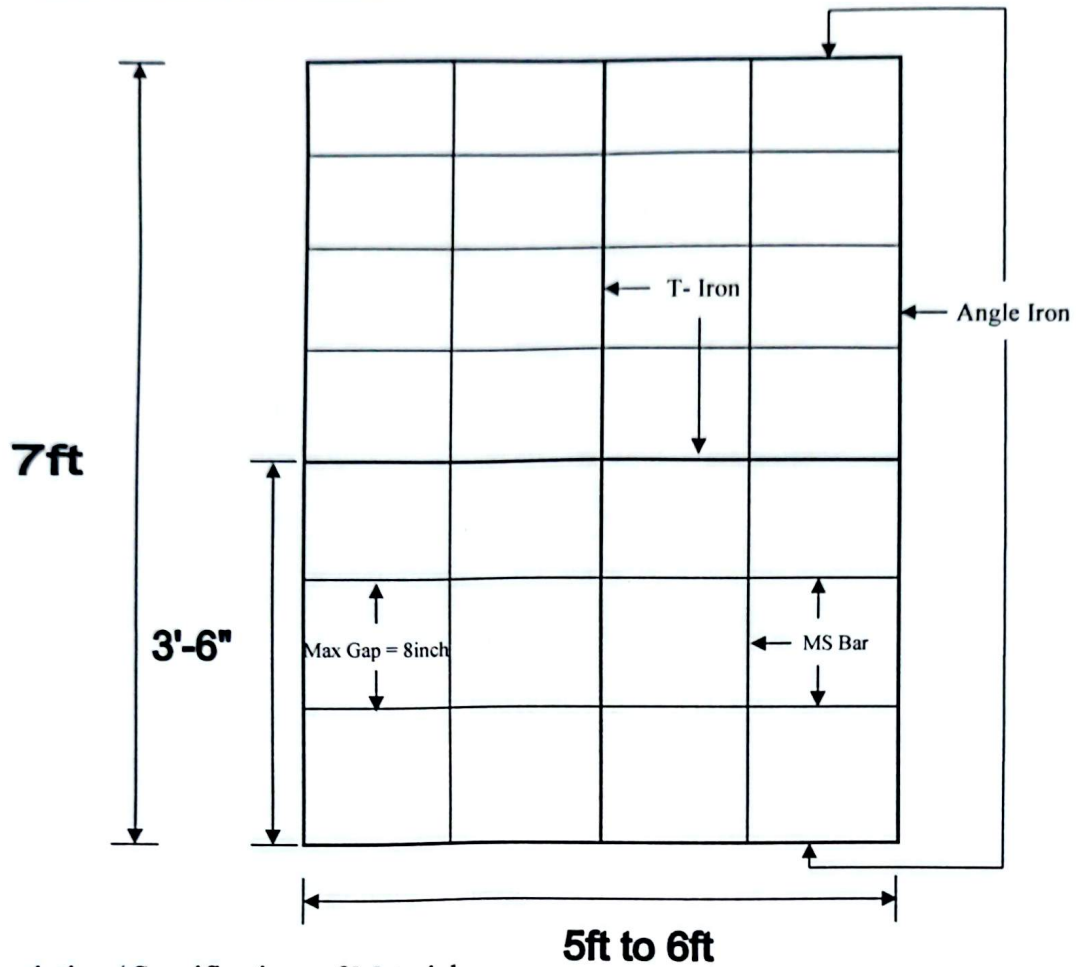
DRAWING OF TR UNIT ENCLOSURE OF CP STATIONS
FISCAL YEAR 2025-26



[Handwritten signature]



Detail Drawing of Side of Fencing:



Description / Specifications of Materials

1. Roof
 - i) Single piece Molded Glass Fiber
 - ii) Wall Thickness = Minimum 4 mm
 - iii) Color = Blue
2. Structure
 - i) MS Angle Iron $1\frac{1}{2}'' \times 1\frac{1}{2}'' \times \frac{1}{4}''$
 - ii) MS T Iron $2'' \times 1\frac{1}{2}'' \times \frac{1}{4}''$
 - iii) MS Bar $\frac{1}{2}'' \times \frac{1}{2}''$
3. Fencing 18 SWG Perforated MS Sheet with round holes (Diameter & spacing of the holes to be approved by the company).
4. Paint on Metallic Portion Double coat good quality Enamel (Blue Color)
5. Lock Good quality stainless steel shutter lock with double lever along with a heavy latch.
6. Name Plate Good quality Plastic Name Plate with printed name of CP Station (Sample Print attached).





C.P Station

[Handwritten signature]

