

# SUI NORTHERN GAS PIPELINES LIMITED

## Tender Enquiry

Ref: FST/TE/041/2026

Dated: 18.05.26

Messer's,

1.	6.
2.	7.
3.	8.
4.	9.
5.	10.

Dear Sirs,

- Please submit your lowest and firm quotation with best delivery for the items given on the attached sheet (*Annexure*) and return one copy of the sheet(s) duly completed and signed by you latest by 3:00 Pm positively on or before 03.06.26
- Please Include:
  - Our item numbers.
  - Discounts, if any.
  - Full details of any deviation from our Specifications.
  - Lump-sum price in addition to unit price, carriage paid to our address given in
- The envelope containing your quotation should be sealed and addressed to the Exec. *Officer Procurement* at the following address.

***SNGPL Office, HQ-T, Main Sargodha Road, Faisalabad***

- The envelope should be headed "CONFIDENTIAL" and marked;

Tender Enquiry No. FST/TE/041/26

Closing on 03.06.26

**Your quotation is liable to be cancelled if you fail to adhere to the this clause.**

- Your quotation should remain open for at least a period of 60 days from the date of closing of this enquiry.
- QUOTATIONS AGAINST THIS ENQUIRY WILL BE OPENED IN PUBLIC 30 Minutes AFTER THE CLOSING TIME OF THIS ENQUIRY.
- In the event of your quotation being approved and our confirmed order placed on you, you will be expected to complete the delivery by the date mentioned in our order conformable to your quotation. In case delivery is not completed by due date, we reserve the right to meet our demand at your cost.
- In case an order is placed on you on the basis of this Enquiry, material will be required by us latest by 30 days.
- We reserve the right either to increase/decrease 15% of ordered quantities or cancel any /all items of this Enquiry without any reasons.
- Relevant leaflets/brochures should accompany your quotation, if possible.
- Instead of writing the word 'IMPORTED' Please give the exact **Brand/Make and Country of Origin** of each item quoted by you.
- Delivery of material will be required at our Main Stores Faisalabad HQ-T**

### GENERAL CONDITIONS

- All deliveries are to be consigned carriage paid to the address given under 2 (d) above.
- Delivery Challan (*in Triplicate*) for each consignment should accompany the material.
- Consignments will be received upto 12:30 PM during Summer on all working days and upto 3:30 PM during Winter on all days of the week except Fridays and Saturdays, when these will be received upto 12:30 PM.
- All goods purchased are subject to our Inspection and Approval and if rejected will be returned at Supplier's risk and cost.

Yours Faithfully,  
SUI NORTHERN GAS PIPELINES LIMITED

  
( M. Asim Qureshi )  
Dy. Chief Officer (Procurement)  
for Managing Director

Annexure To Enquiry No :

FST/TE/041/25

01 of 01

Reference of Supplier :

18.05.2026

Item No	Description	Brand/Make Country of Origin	UNIT	Qty.	Rate	Bid Security of Estimated Cost of Each Item	Delivery Period
1	Welding Electrodes,AWS E-6013,Size: 2.5 x 300 mm Specification attached as annexure-A		KGS	5		Bid Security declaration (Annex I, II, III) duly signed/ stamped is also required alongwith bid on your Letter Head/ Stamp Paper, failing which your bid will be considered non-responsive	
2	Wire Brush(Steel),Size 203.2 MM X 25.4 MM(8"x1") Specification attached as annexure-B		NO	100			
3	Emery Paper No. 03 Pak Specification attached as annexure-C		NO	100			
4	Cutting Disc 9" x 1/8" x 7/8" Specification attached as annexure-D		NO	18			
5	Grinding Disc, Size: 7" x 1/4" x 7/8" Specification attached as annexure-D		NO	24			
6	ARBOR KNOT WIRE BRUSH FOR ANGLE GRINDER (5- 1/2"x1/2")139.7MM*12.7MM Specification attached as annexure-E		NO	12			
7	Coolant DCA 4 for Gas Genset (394 KVA) Specification attached as annexure-F		LTR	350			
8	Dry Batteries Rechargeable, 12V, 9AMP Specification attached as annexure-G		NO	25			
9	FLEXIBLE METAL HOSE P/N 1068771 Specification attached as annexure-H		NO	20			
10	DEEP GROOVE BALL BEARING SIZE: 6310ZZ Specification attached as annexure-I		NO	3			
11	DEEP GROOVE BALL BEARING SIZE / NO:6309 Specification attached as annexure-J		NO	3			
12	Battery charger H.D. input 230v Specification attached as annexure-K		NO	2			
13	DC Digital Volt Meter Specification attached as annexure-L		NO	24			
14	Connector, Excitor, Saturn (Pt. No. MS3106R125-35) Specification attached as annexure-M		NO	5			
15	Air filter cartridge, Air Sys, MTU 200 Kw, 93.21214-0138		NO	4			
16	Polythene sheet,Size .08MM thick X4.88 Mtr.Wide1/32" X 16",Building Material		KGS	20			

Note

It is to be noted that the original copy of Bid as per the bid quoted on EPADS alongwith Bid Security Declaration and tender documents fee for Rs.500/- in shape of BG/COR/PO (in original) must be submitted at the following address on or before the closing time / date of tender enquiry:

Procurement Department  
SNGPL Transmission Headquarters,  
Sargodha Road, Faisalabad.

The tender enquiry number and tender closing / opening time must be mentioned clearly on the tender envelope.

1. Please mention the rates of material/sales tax separately instead of lump sum
2. Rates should be valid upto ( Sixty 60 ) days
3. We require good quality material
4. No cutting/overwriting will be acceptable in the price
5. Quotation should be complete in all respects i.e. NTN/GST Nos. date & signature, country of origin/brands with complete specification of material duly stamped
6. Envelope should be marked as "CONFIDENTIAL", Tender Enquiry No. and Closing Date
7. You will be responsible/bound to supply the item at your quoted rates, in case of any change/revision of rate at your end
8. Any information or sample can be seen in the store office FSD on any working day in the office time
9. Enquiry send back to Office (Procurement) SNGPL, Sargodha Road, Faisalabad, country of origin/brands with complete specification of material duly stamped
10. We require material within 30 Days, however, you may quote your best delivery period
11. Payment will be made through cheque after complete delivery of material
12. In case an order is placed on you on the basis of this Enquiry, payment shall be made within 30 days from receipt of goods except when stores are received. Subject to Approval in such
13. No bid will be accepted for lesser quantity than that specified.
14. Any discount or alternate prices not read out at bid opening will not be considered during bid evaluation
15. Conditional offers / quotation will not be accepted.
16. Each item will be evaluated separately.

Special Note

1. Please note that in case of Purchase Order placed on you, delivery of material must be made within the stipulated delivery period, failing which, we reserve the right to cancel the purchase order or part thereof, as necessary.
2. In case of an order placed on you, if the order on you or part thereof is cancelled, we shall have the right to make purchases from other sources at your risk & cost, and the difference in cost will be recovered from you and this cancellation of Purchase Order may lead to black-listing of the firm.
3. Brand Name, Model No. and Country of Origin of offered item must be mentioned in the quotation. Bids without Brand Name, Model No. and Country of Origin are liable to rejection.

Late Delivery Charges

1. Time shall be essence of the contract/purchase order and it will include a clause on Late Delivery charges. This interalia will state that if the materials, as given in the order have not be
  2. The payment of such Late Delivery Charges shall not relieve the supplier from performing and fulfilling its obligations under the contract nor will the corresponding rights and entitlements of !
  3. Whenever Late Delivery Charges become payable, SNGPL, in its sole discretion shall quantify the same and recover Late Delivery Charges through deduction from outstanding bills of supplies
- \* The term "Force Majeure" as employed herein shall mean acts of Government in their sovereign capacity, riots, strikes, lock outs, fire occurring in the supplier's establishment, political disturbances, mobilization, wars.

Supplier's Signature : \_\_\_\_\_

Supplier's Stamp : \_\_\_\_\_

**BID SECURING DECLARATION**  
**TENDER ENQUIRY #FST/TE/041 /26**

M/s. Sui Northern Gas Pipelines Limited,

Dear Sirs,

We, M/s \_\_\_\_\_, hereby confirm that our bid against subject tender enquiry is firm & irrevocable.

We, M/s \_\_\_\_\_, also confirm & undertake that our said Bid Securing Declaration shall serve as guarantee that we shall not either withdraw, unilaterally modify, vary or alter our Bid after opening of the tenders and before expiry of bid validity period or extended bid validity period, and we shall accept purchase order placed on us within validity period of bid in case our bid turns out to be the most advantageous bid as per terms of the tender enquiry.

**Authorized Signatories of the Bidder**

Name: \_\_\_\_\_

Date: \_\_\_\_\_

E-mail address:- \_\_\_\_\_

Company Seal: \_\_\_\_\_

Place: \_\_\_\_\_

**Specifications for Welding Electrodes**

**General Information**

Parameter	Value
Classification	AWS E-6013
Size	2.5 mm diameter x 300 mm length( $\pm 10\%$ )
Type	Rutile-based, general-purpose electrode
Standard	AWS A5.1 / ASME SFA-5.1

**Applications**

Application No.	Description
1	Mild steel (low-carbon steel)
2	Thin plates (1-5 mm)
3	General fabrication, repair, maintenance
4	Suitable for AC or DC+ current

**Mechanical Properties**

Property	Value
Tensile Strength	$\sim 430$ MPa (60,000 psi)


**Welding Characteristics**

Parameter	Value
Current	AC / DC+
Positions	All (flat, horizontal, vertical, overhead)
Arc Stability	Smooth, stable arc
Slag	Thin, easy-to-remove

**Packaging & Storage**

Parameter	Value
Packaging	2 kg to 5 kg packs

Note: Sample can be demand for field reference during evaluation

  
(ARSLAN SHAKOOR)  
SR. ENGR. (CORR. CONTROL)  
FAISALABAD (T)



8

Annexure B

**Specifications for Steel Wire Brush**

Category	Specification
Product Name	Steel Wire Brush
Length	279.4 mm (11 inches) $\pm$ 10%
Width	34 mm (1.33 inch)+10%
Bristle Material	Carbon Steel / Stainless Steel
Handle Material	Wood
Primary Uses	Rust removal, Paint removal, Surface cleaning, Weld seam preparation from metal surface.
Applications	Metalwork, Maintenance, Fabrication, Cleaning tasks

**Note: Sample can be demand for field reference.**

(ARSLAN SHAKOOR)  
SR. ENGR. (CORR. CONTROL)  
FAISALABAD (T)

**Specifications for Emery Paper No. 03**

Category	Specification
Product Name	Emery Paper No. 03
Standard Size	LxW (280mm x 230mm)± 10%
Grit Size	Medium (Approx.40–120 grit or more)
Abrasive Material	Emery (Aluminum Oxide)
Primary Uses	Smoothing metal surfaces, Removing rust or paint, Surface preparation, Wood/metal finishing
Applications	Metalworking, Woodworking, Maintenance, Painting preparation

**Note: Sample can be demand for field reference.**

**Brand Name preferably should be Printed on Backside**



(ARSLAN SHAKOOR)  
**SR. ENGR. (CORR. CONTROL)**  
FAISALABAD (T)

## TECHNICAL SPECIFICATIONS GRINDING AND CUTTING DISCS

Grinding Disc is required for pipe weld finishing and edge grinding. Cut off Disc is required for root pass grinding. Grinding and Cut off Discs shall be manufactured according to EN ISO 6103 standards. Discs shall conform to most exacting quality and safety requirements and marked according to standard EN 12413/ OSA or equivalent.

### Dimensions of Grinding Disc

Tool Type and shape	-	Reinforced Grinding Disc
Outer Diameter	-	178 mm (7")
Wheel Thickness (minimum)	-	6 mm (1/4")
Centre Hole Diameter	-	22.23 mm (7/8")
Abrasive	-	Aluminum Oxide
Work piece Material	-	Steel
Grit Size	-	24 Mesh
Maximum Speed	-	8,600 RPM

### Dimensions of Cut off Disc

Tool Type and Shape	-	Depressed Centre Type
Outer Diameter	-	229 mm (9")
Wheel Thickness (minimum)	-	3 mm (1/8")
Centre Hole Diameter	-	22.23 mm (7/8")
Grit Type	-	Aluminum Oxide
Grit Size	-	24 Mesh
Maximum Speed	-	6,600 RPM

### General

- (i) Two samples each of discs quoted shall be furnished with the bid(s).
- (ii) All the offered Discs shall be labeled/ marked with oSa symbol and safety standard EN 12413 or equivalent. Copy of oSa certificate, issued to manufacturer, authorizing them to use oSa symbol on the discs shall accompany the bid(s).
- (iii) Manufacturing unit shall possess ISO 9001 accreditation and valid/current certificate copy shall accompany bid(s).
- (iv) Bidders shall provide detailed technical literature of the quoted items.

### BID EVALUATION CRITERIA

Evaluation will be based on field test reports of samples and above specifications.

  
**ADEEL ZAHID MIR**  
**SR. SECTION ENGINEER-II**

## **TECHNICAL SPECIFICATIONS** **ARBORKNOTTED WIRE BRUSH**

Arbor Knotted Hardened Steel Wire Brush Single Twists (Twisted to The End of The Knot), Wire Twists Shall Not Untwist During Operation. Brush Body Shall Be Spot-Welded and Wire Used Shall Be of High Tensile Strength. The Brushes Are Required for Pipeline Bevel and Weld Cleaning and are to Be Mounted on Hand-Held Angle Grinders. Arbor Knotted Wire Brush Shall Be Manufactured According to DIN 68 347 Part 1 And 2 / EN 1083.

No. of Knots/Brush	-	75-86
Wire Thickness	-	0.5 mm
<b>Dimensions of Brush</b>		
Outer Diameter (minimum)	-	Not less than 170 mm (6-3/4")
Face Width (Splayed end)	-	6 mm
Width of knot at the base	-	4 mm
Arbor Hole (Bore Diameter)	-	22.2 mm
Trim length (length of fill material Extending beyond brush core)	-	28 – 40 mm
Maximum Safe Free Speed (MSFS)	-	8000 – 12000 RPM

### **General**

- (i) Two samples of each brush quoted shall be furnished with the bid(s) for performance testing.
- (ii) Manufacturing unit shall possess ISO 9001 accreditation and valid/current certificate copy shall accompany bid(s).
- (iii) Bidders will provide detailed technical literature of the quoted items.

### **BID EVALUATION CRITERIA**

Evaluation will be based on field test reports of samples and above specifications.

**SPECIFICATIONS OF COOLANT**

DESCRIPTION	SPECIFICATIONS
Type	Coolant DCA 4 (Diesel Coolant Addictive Four)
Efficient	Both Gas & Diesel Engine.
Base	Ethylene Glycol
Freezing Point	-20° C or above
Boiling Point	Above 105° C
PH Level	8.0 ~ 11.0
Color	Red
Packing	01 Liter

**BID EVALUATION CRITERIA**

- i)** Bidders are required to provide Technical Literature of offered products.
- ii)** Bidder may be asked for sample at the time of vetting.
- iii)** Bidder must provide third party analysis report from certified lab.  
Bidder must fully comply with technical specifications.

## Description of Material

### Maintenance Free Sealed Lead Acid Battery

Voltage: 12V

Capacity: 9.0 AMP

Weight: 2.7 KGS

Resistance: 17 to 19 m $\Omega$

Terminal Type: F2 Faston Tab

Operational Temperature: -20°C to 45°C

Storage Temperature: -20°C to 45°C

### Cycle Use:

Initial Current: 2.7 A or Smaller

Control Voltage: 14.5 – 14.9 V

### Float Use:

Control Voltage: 13.6 – 13.8 V

Length: 5.94 inch

Width: 2.56 inch

Height: 3.78 inch

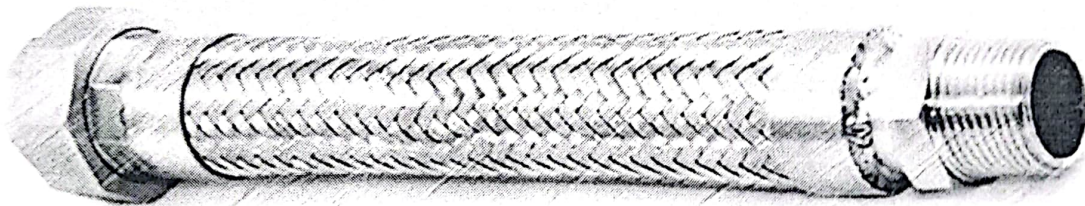
## Technical Specification: Flexible Hose

### 1. General Overview:

- **Hose Type:** Flexible Metallic/braided Hose (Annular)
- **Overall Length (OAL):** 18 inches
- **Nominal Hose Diameter:** 3/4"
- **Construction:** Braided/Mesh (for Electrical Wiring)

### 2. Component Details:

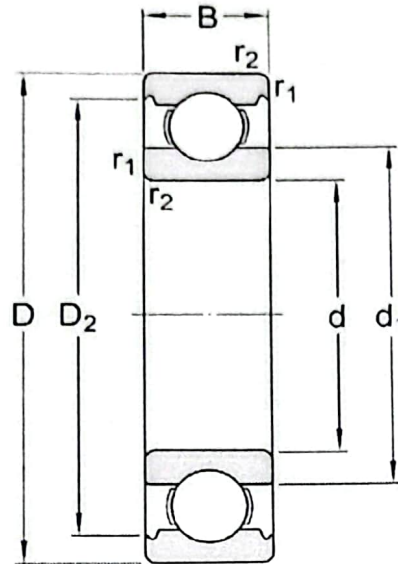
Component	Specification
External Braiding	Single Layer SS304 Wire Braid or Eq.
End Connection A	1/2" NPT, Barrel Nipple (Male)
End Connection B	1/2" NPT, Ground Joint Union (Female/Male)
Fittings Material	Carbon Steel (Zinc Plated) or Stainless Steel



Note: Sample will be provided, if required.

**TECHNICAL SPECIFICATION**  
**DEEP GROOVE BALL BEARINGS 6310**

Deep groove ball bearings shall be fitted with two metal shields on both sides with internal clearance to prevent leakage of lubricant and entry of dust, water and other harmful materials conforming to following dimensional drawing:



### 1. Dimensions

- |                       |        |
|-----------------------|--------|
| a) Inside diameter d  | 50 mm  |
| b) Outside diameter D | 110 mm |
| c) Width B            | 27 mm  |

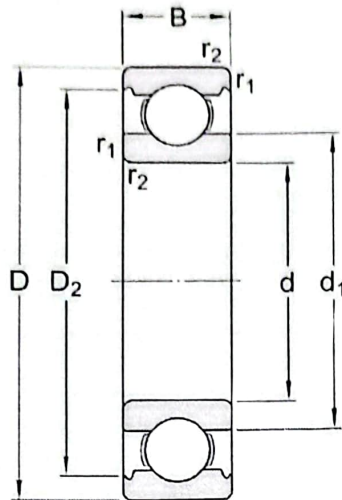
- |                              |                   |
|------------------------------|-------------------|
| 2. Basic dynamic load rating | $\geq 65$ kN      |
| 3. Basic static load rating  | $\geq 38$ kN      |
| 4. Reference Speed           | $\geq 13,000$ rpm |
| 5. Limiting speed            | $\geq 8,500$ rpm  |

### Note:

- Bidder must submit the technical literature of the offered/quoted item, along with the bid. Moreover, snapshot/picture of the item shall not be accepted as technical specification.
- Compliance to technical specification is the bid evaluation criteria.
- Bidder must stamp & sign this technical compliance sheet and mention the deviation, if any.
- In case of damage, during warranty period of 06 months, the bidder shall arrange its replacement with new one within 5 days of claim.
- Bidder must be the authorized dealer of the offered product or would provide a certificate of purchase from the authorized dealer.

**TECHNICAL SPECIFICATION**  
**DEEP GROOVE BALL BEARINGS 6309**

Deep groove ball bearings shall be fitted with two metal shields on both sides with internal clearance to prevent leakage of lubricant and entry of dust, water and other harmful materials conforming to following dimensional drawing:



**1. Dimensions**

- |                         |        |
|-------------------------|--------|
| a) Inside diameter $d$  | 45 mm  |
| b) Outside diameter $D$ | 100 mm |
| c) Width $B$            | 25 mm  |

- |                                     |                   |
|-------------------------------------|-------------------|
| <b>2. Basic dynamic load rating</b> | $\geq 55.3$ kN    |
| <b>3. Basic static load rating</b>  | $\geq 31.5$ kN    |
| <b>4. Reference Speed</b>           | $\geq 15,000$ rpm |
| <b>5. Limiting speed</b>            | $\geq 9,500$ rpm  |

**Note:**

- Bidder must submit the technical literature of the offered/quoted item, along with the bid. Moreover, snapshot/picture of the item shall not be accepted as technical specification. Compliance to technical specification is the bid evaluation criteria. Bidder must stamp & sign this technical compliance sheet and mention the deviation, if any. In case of damage, during warranty period of 06 months, the bidder shall arrange its replacement with new one within 5 days of claim. Bidder must be the authorized dealer of the offered product or would provide a certificate of purchase from the authorized dealer.

## TECHNICAL SPECIFICATION Portable Battery Charger

Sr. No.	Parameter/Feature	Range/Limit
01.	Application	VRLA (AGM/GEL Type), Battery Charging
02.	Input Voltage	220AVC @ 50Hz
03.	Output Voltage	12VDC & 24VDC (Both Options)
04.	Charging Rated Current	9A or Higher on 12VDC 4A or Higher on 24VDC
05.	Boost Current Option	Yes, 12A or Higher
06.	Charger Enclosure	Metal Body, Industrial Grade
07.	Insulation class	H or better
08.	Charging Ampere Meter	• Yes (Analog or Digital)
09.	Built in Fuse for protection	Yes
10.	Manual 12V & 24V selector	Yes
11.	Manual Min & Boost Selector	Yes
12.	Output Leads (Red & Black) with Jacks	Yes
13.	Certification	CE/RoHS or Eq. or Better
10.	Warranty	One year

ote.

1. Bidder must provide the supporting technical literature/brochure or sample of the offer specification compliant battery charger
2. In case of any problem/damage of battery charger within warranty time, the bidder should ensure the charger replacement within 15 days.
3. Compliance to technical specification is the bid evaluation criteria.

## Technical Specification Digital DC Volt and Ampere Meter

- **Voltage Measuring range: DC 0 – 100V**
- **Current Measuring range: DC 0 – 50A or Higher**
- **Working voltage: DC 4 – 30V**
- **Voltage resolution (V):  $\pm 0.1V$  or better**
- **Current resolution (A):  $\pm 0.01A$  or better**
- **Accuracy: 1% ( $\pm 1$  digit) or better**
- **Display: 0.28" digital tube, red & blue**
- **Current Shunt: 75 milli-ohm or Compatible**
- **Operation Temp:  $-10^{\circ}$ - $+65^{\circ}C$**
- **Function: With reverse connection protection**
- **Mounting Hole: 46x27mm**
- **Cable Length: 15cm**
- **Dimensions: 48\*29\*22mm/1.89\*1.14\*0.86in**
- **Warranty: 6 Months.**

## Technical Specification Connector

No.	Parameter	Specification / Limit
1	Military Standard	MIL-DTL-5015 or Eq. Compliant
2	Contact Arrangement	12S-3 (2 Contacts / Female Sockets)
3	Contact Size	16S (Short Version)
4	Rated Current	22 Amps (at 20°C ambient)
5	Operating Voltage	500V AC / 700V DC (Service Rating A)
6	Dielectric Strength	1,600V RMS (at sea level)
7	Insulation Resistance	5,000 MΩ minimum (at 25°C)
8	Operating Temperature	-55°C to +125°C